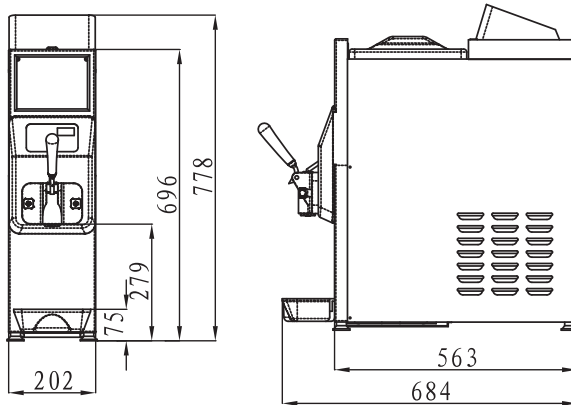


MODEL 6212

- * Table model
- * Single flavor
- * Gravity feed
- * Frequency converter, Low noise
- * Pre-cooling
- * LED Control panel
- * Cylinder: one, 1.1 Liter
- * Hopper: One, 4 Liter
- * Capacity: 12 Liter/Hour

Model 6212



Equipment parameters

Model	Dimension(mm) (NET)	Dimension(MM) (PACKING)
6212	684X202X778	770X290X960

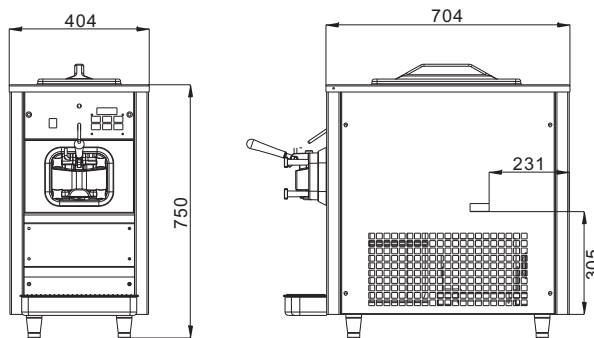
Model	N.W. (kg)	G.W. (kg)
6212	60	70

Model	Voltage	Power
6212	210-230V/50Hz/60Hz	1.2KW

MODEL 6236

- * Table model
- * Single flavor
- * Gravity feed
- * Pre-cooling
- * Cylinder: one, 3.2 Liter
- * Hopper: One, 15 Liter
- * Capacity: 36 Liter/Hour

Model 6236



Equipment parameters

Model	Dimension(mm) (NET)	Dimension(MM) (PACKING)
6236	704X404X750	750X450X800

Model	N.W. (kg)	G.W. (kg)
6236	105	120

Model	Voltage	Power
6236	210-230V/50Hz/60Hz	1.8KW